



# MASTER LEDspot MV

MAS LEDspotMV VLE D 4.3-50W GU10 840 40D

Delivering a warm, halogen-like accent beam, MASTER LEDspot MV is a perfect fit for spot lighting (track, corridors, lift lobbies, display cases and cabinets) in the hospitality industry. It is particularly suitable to public areas where the light is on 24/7, such as lobbies, corridors, stairwells. MASTER LEDspot MV delivers huge energy savings and minimizes maintenance cost without any compromise on brightness, enabling hospitality owners to achieve a return on their investment within one year. These LEDspots are compatible with most existing fixtures with a GU10 holder and designed as a retrofit replacement for halogen or incandescent spots. The dimmable versions drive further efficiencies, while helping to create the desired atmosphere.

## Product data

### • General Information

|                        |                     |
|------------------------|---------------------|
| Cap-Base               | GU10 [ GU10]        |
| Bulb Shape             | PAR16 [ PAR 2 inch] |
| Nominal Lifetime (Nom) | 35000 h             |
| Switching Cycle        | 50000X              |
| Technical Type         | 4.3-50W             |

### • Light Technical

|                                       |                           |
|---------------------------------------|---------------------------|
| Color Code                            | 840 [ CCT of 4000K (841)] |
| Beam Angle (Nom)                      | 40 °                      |
| Light Distribution                    | Wide beam 40°             |
| Luminous Flux (Nom)                   | 420 lm                    |
| Luminous Flux (Rated) (Nom)           | 420 lm                    |
| Luminous Intensity (Nom)              | 800 cd                    |
| Color Designation                     | White (WH)                |
| Rated Beam Angle                      | 40 °                      |
| Correlated Color Temperature (Nom)    | 4000 K                    |
| Luminous Efficacy (rated) (Nom)       | 90.70 lm/W                |
| Color Consistency                     | <6                        |
| Color Rendering Index (Nom)           | 80                        |
| LLMF At End Of Nominal Lifetime (Nom) | 70 %                      |
| Luminous Flux In 90° Cone (Rated)     | 390 lm                    |

### • Operating and Electrical

|                                 |                    |
|---------------------------------|--------------------|
| Input Frequency                 | 50 to 60 Hz        |
| Power (Rated) (Nom)             | 4.3 W              |
| Lamp Current (Nom)              | 23 mA              |
| Wattage Equivalent              | 50 W               |
| Starting Time (Max)             | 0.5 s              |
| Warm Up Time To 60% Light (Nom) | instant full light |
| Power Factor (Nom)              | 0.7                |
| Voltage (Nom)                   | 220-240 V          |

### • Temperature

|                      |       |
|----------------------|-------|
| T-Case Maximum (Nom) | 83 °C |
|----------------------|-------|

### • Controls and Dimming

|          |     |
|----------|-----|
| Dimmable | Yes |
|----------|-----|

### • Approval and Application

|                               |       |
|-------------------------------|-------|
| Suitable For Accent Lighting  | Yes   |
| Energy Efficiency Label (EEL) | A++   |
| Energy Consumption kWh/1000 h | 5 kWh |

**PHILIPS**

# MASTER LEDspot MV

## Product Data

Full product code 871869645713900  
 Order product name MAS LEDspotMV VLE D 4.3-50W  
 GU10 840 40D  
 EAN/UPC - Product 8718696457139  
 Order code 929001138102

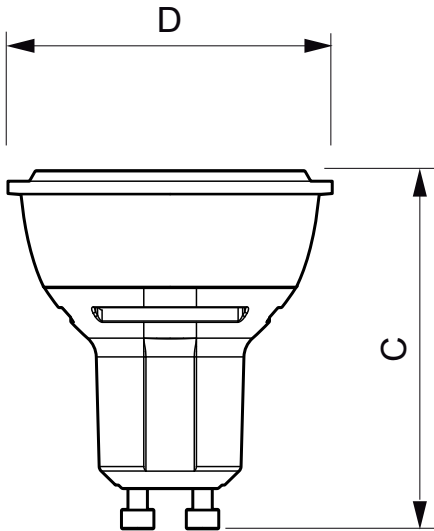
Numerator - Quantity Per Pack 1  
 Numerator - Packs per outer box 10  
 Material Nr. (12NC) 929001138102  
 Net Weight (Piece) 0.036 kg

## Warnings and Safety

- Operating temperature range is between -20° C and 45° C ambient

- Only to apply in dry or damp locations and most of open fixtures with lamp-holders that offer sufficient space (10 mm free air space)
- Not intended for use with emergency light fixtures or exit lights

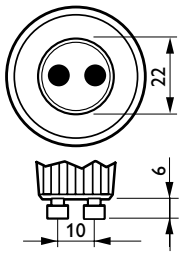
## Dimensional drawing



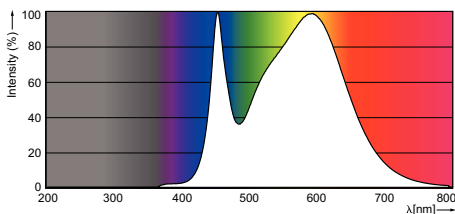
3.5-35W, 4-35W, 4.3-50W, 4.5-50W, 5.4-50W, 5.5-50W, 6-50W GU10

## LED VLE D 4.3-50W GU10 840 40D

| Product                                  | D     | C     |
|--|-------|-------|
| MAS LEDspotMV VLE D 4.3-50W GU10 840 40D | 50 mm | 55 mm |



## Photometric data





© 2016 Philips Lighting Holding B.V.  
All rights reserved.

Specifications are subject to change without notice. Trademarks are the property of Koninklijke Philips N.V. (Royal Philips) or their respective owners.

[www.philips.com/lighting](http://www.philips.com/lighting)

2016, October 10  
data subject to change